



## KISSLING HIGH PERFORMANCE RELAYS

### Series 26 / 1000A - from TE Connectivity (TE)

KISSLING 26 series monostable dual coil relays are developed using our competence and expertise gathered over decades of manufacturing to meet demanding operating requirements.

This dual coil system relay features extremely high shock and vibration resistance predominantly from careful design and an optimized magnetic circuit. The sealing technology used in these relays meet both the IP67 and IP69K (Steam pressure cleaning) protection standard. This relay series is well suited for various applications in severe commercial, military and aviation applications.

Other important advantages are low heat generation in the contact area based on low contact voltage drop, a compact design, silver alloy contact material and the use of mechanical and high thermal stability insulating compounds. Both the terminals and housing are corrosion resistant.

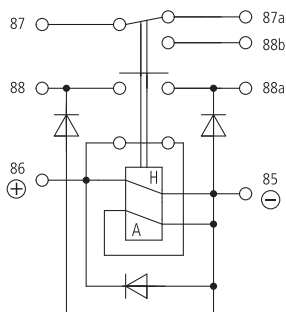
#### Features

- Sealed housing conforms to IP6K9K / IP67
- Dual-Coil monostable high performance relay
- Mechanical life tested for 100.000 mechanical cycles
- 50G shock & 10G vibration resistant
- Military grade performance
- Meets the requirements of MIL-R-6106
- VG 96928 approval

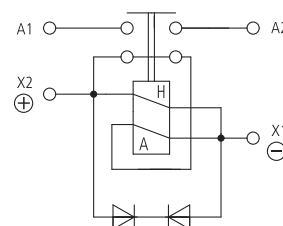
#### Applications (export license required)

- Truck
- Bus
- Ground support vehicles
- Construction and agricultural vehicles
- Power Distribution

#### Circuits



Auxiliary Contact  
Suppression Diode  
Polarity protection



Suppression Device  
Without auxiliary contact

**Specification**

**Technical Data**

Temperature range	-55°C to +74°C
Protection	IEC 60529 & DIN 40050-9 / IP67 (0,2 bar - 1min.) & IP6K9K
Shock	50G - 11msec / MIL-STD-202, Test methode 213, half-sine, 11msec / 50G
Vibration	10G (10-2000Hz) / MIL-STD-202, Test methode 213, Test condition C / 10G
Acceleration	15G
Thread sizes	M5 = 3.2-3.5Nm / M6 = 6.0-7.0Nm
Wire section	min. 500mm <sup>2</sup> / 0,775 sq.inch / MCM 1000 (2x 240mm <sup>2</sup> )

**Electrical Characteristics**

Min. Insulation Resistance	100MΩ
After Ilve or environmental	50MΩ
Dielectric withstanding voltage	1050VAC / 1min at 50Hz
Max. Contact drop, initial	150mV
Contact drop after life test	175mV
Continuous current	1000A
Overload	4000A - 1sec / 2000A - 120sec
Rupture current	10.000A

**Rated contact load (24/28VDC)**

Resistive load	10.000 cycles - 1000A
Inductive load	5.000 cycles - 250A
Motor load	5.000 cycles - 500A
Mechanical Life	100.000 cycles - 250A
Auxiliary Contact	Type 26.02.14 only
Continuous current	25A
Make & break	40 A

**Coil Data**

**24/28VDC**

Voltage range	18-32VDC
Nominal voltage	24/28VDC
Pick up voltage max.	18VDC
Drop out voltage	≤ 7VDC
Pull in coil resistance	0.8Ω ± 20%
Pull in current max.	35A/40A - 50msec
Coil resistance	18.5Ω ± 10%
Holding current max.	2A @ nominal voltage (20°C)

**Operating times**

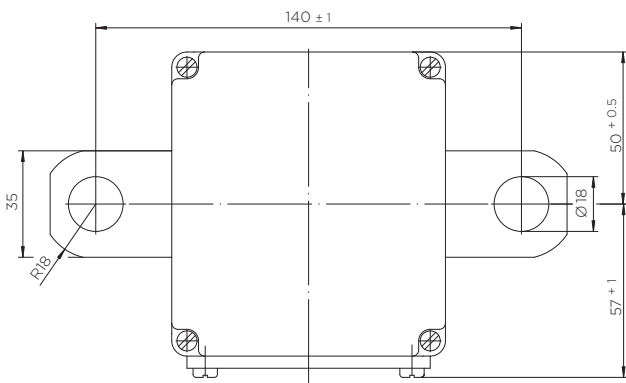
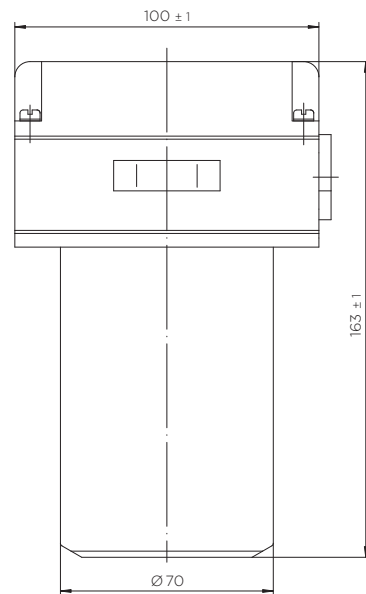
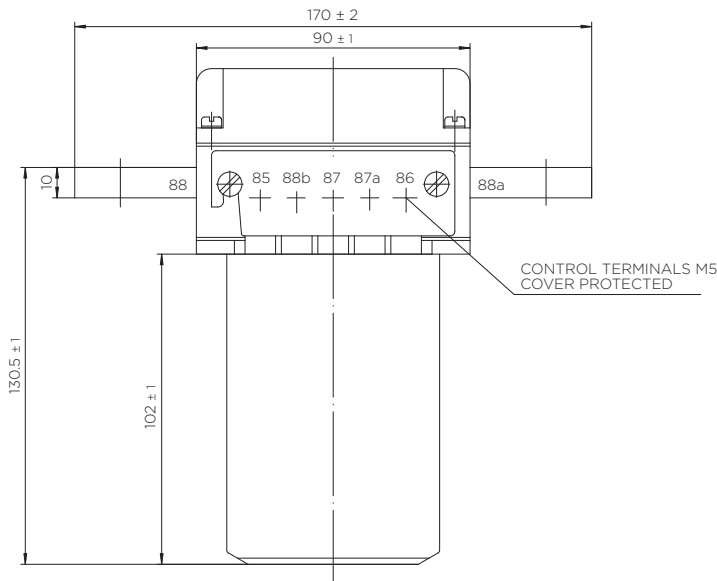
**NO Contact**

Operate	max. 50msec
Bounce	max. 5msec
Release with suppression	max. 220msec
Release without suppression	max. 60msec

**Technical drawings**

**Metric version**

PN: 26.02.14

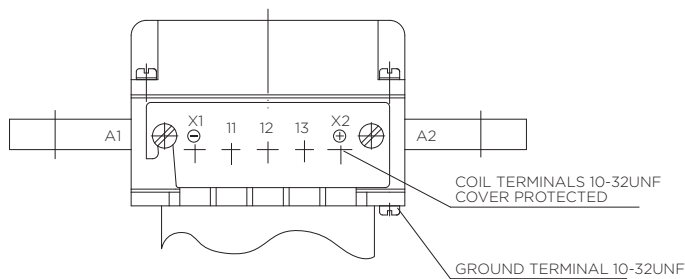


**UNC-Version with references & approvals**

PN: 26.02.15

**UNC-Version**

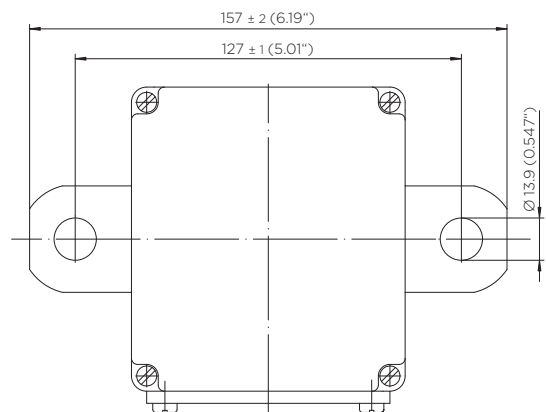
PN: 26.02.16



Residual dimensions see Type 26.02.14

**UNC-Version with short bus-bars**

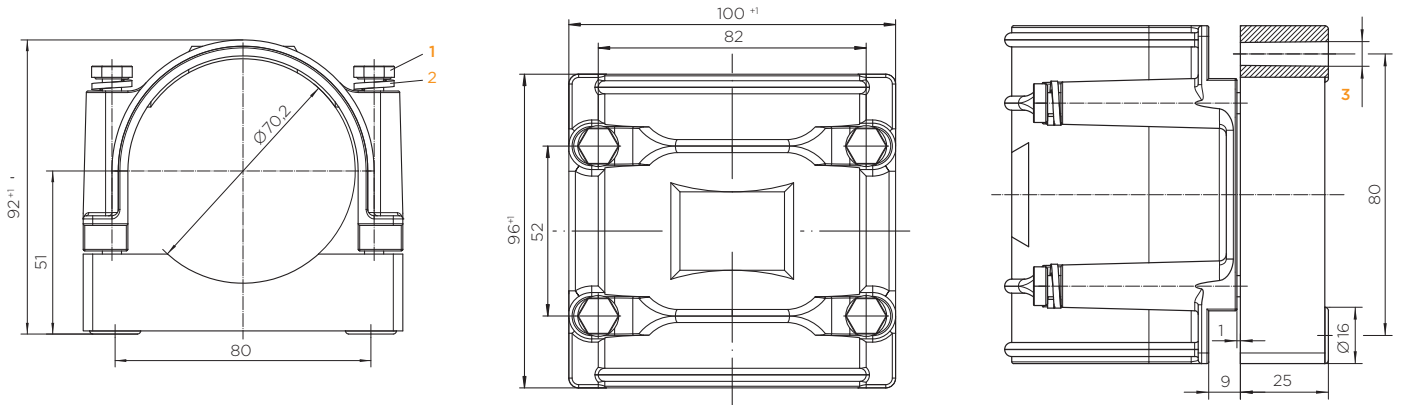
PN: 26.02.17



Coil and ground terminals as Type 26.02.15/16  
Residual dimensions see Type 26.02.14

**Accessories**

Mounting brackets



**Types and additional dimensions**

Type	Ordering key	1 Hexagon head screw	2 Spring washer	3 Fastening	Surface
Metric standard bracket	26.50.00	M6	6 DIN 127	$\varnothing 6.5 / 0.256"$	RAL 6031-F9
UNC-Bracket	26.02.53	1/4 " UNC	1/4 " UNC	$\varnothing 6.5 / 0.256"$	RAL 6031-F9
UNC-Bracket	26.02.54	1/4 " UNC	1/4 " UNC	$\varnothing 8.2 / 0.323"$	RAL 6031-F9

**te.com**

TE Connectivity, TE, TE connectivity (logo), KISSLING (Logo) and KISSLING (word) are trademarks owned or licensed by the TE Connectivity family of companies. All other logos, products and/or company names referred to herein might be trademarks of their respective owners.

The information given herein, including drawings, illustrations and schematics which are intended for illustration purposes only, is believed to be reliable. However, TE Connectivity makes no warranties as to its accuracy or completeness and disclaims any liability in connection with its use. TE Connectivity's obligations shall only be as set forth in TE Connectivity's Standard Terms and Conditions of Sale for this product and in no case will TE Connectivity be liable for any incidental, indirect or consequential damages arising out of the sale, resale, use or misuse of the product. Users of TE Connectivity products should make their own evaluation to determine the suitability of each such product for the specific application.