

HIGH-VOLTAGE CONNECTIVITY SOLUTIONS



From the Charging Point ...



... to the Battery ...



... to the E-Motor.

NEXT GENERATION AMP+ CHARGING INLETS

Integrated Actuator
End position sensing

Flange / Adapter
Easy mounting

AC + LV Cable Outlet
Available in 90° right and left exit versions

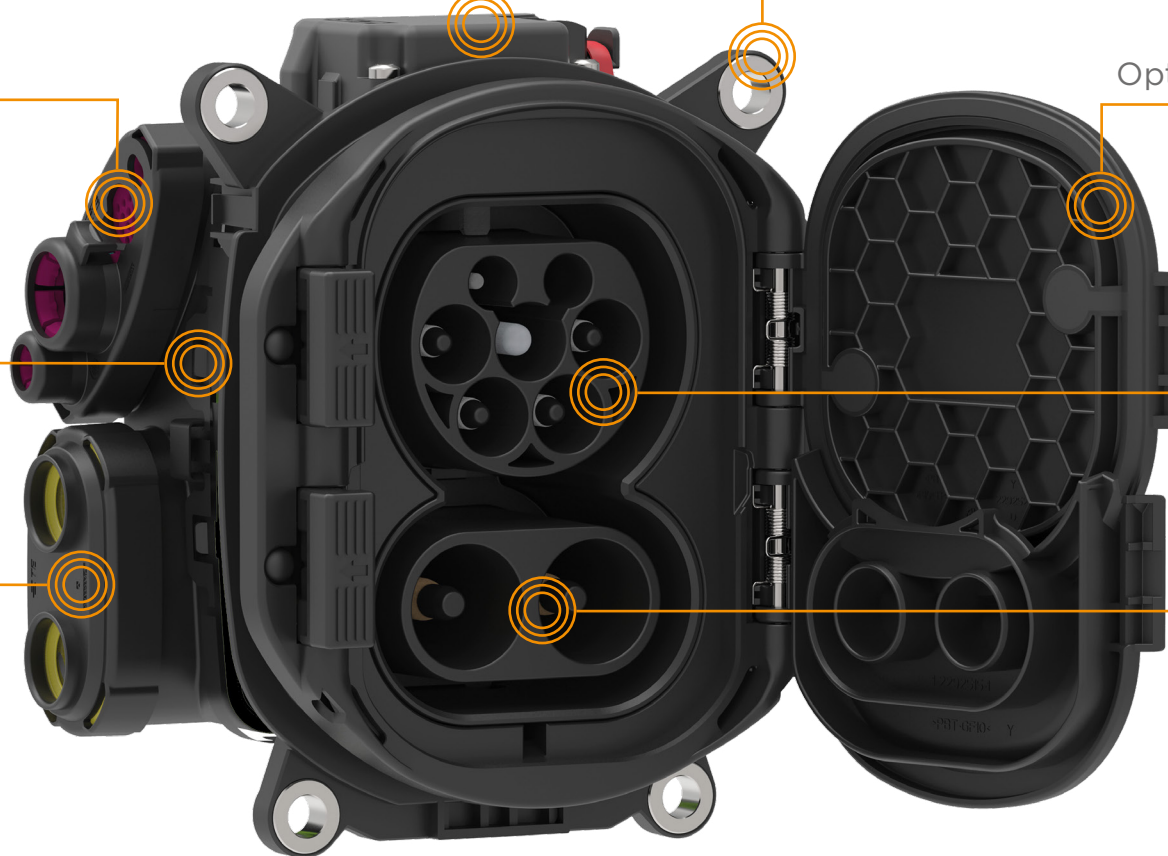
Front Flap
Optional protection

Integrated NTC Sensor
Optimal temperature monitoring

AC Contacts
AC charging

DC Cable Outlet
Available in 180° and 90° right and left exit versions

DC Contacts
DC fast charging



FOR MORE INFORMATION VISIT:

[TE.com/charging-inlets](https://www.te.com/charging-inlets)
[TE.com Applications Page](https://www.te.com/applications)

Example shows [AMP+ Charging Inlet Type 2](#), CCS (Combined Charging System) 90° exit cables with optional mounting flap.